

DHI-HY-L121

LoRa Manual Call Point



- Completes EMC test: strong EMI resistance, high stability and reliability
- Fast and precise alarm report
- Contacts material is highly acid-resistant and rust-resistant

System Overview

The DHI-HY-L121 LoRa Manual Call Point can be integrated with an Addressable Fire Alarm Control Panel. It is compatible with a wireless gateway and utilizes LoRa networking to transmit information. When the button is pressed, it promptly sends alarm signals to the panel.

Functions

Manual control

When there is a fire alarm, manually press the contact, the alarm signal is sent to the control panel immediately.

Wireless communication

Without wiring, easy installation.

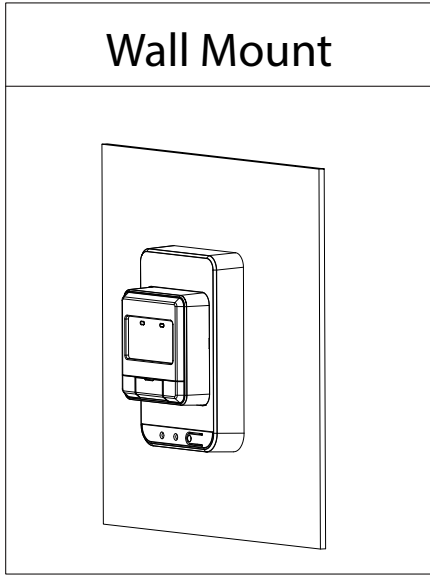
Scene

It is suitable for residential and industrial buildings such as hotels, shopping malls, hospitals, office buildings, schools, banks, libraries, factories, and warehouses.

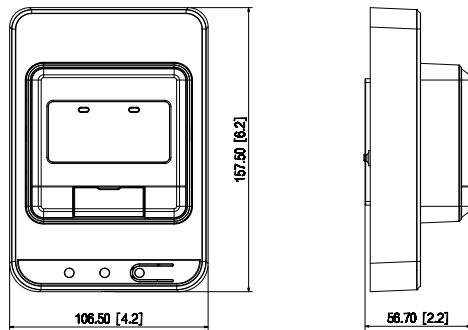
Technical Specification

Communication	LoRa
RF Frequency	470 MHz-510 MHz
Communication Distance	Free space: a maximum of 1500 metres Ordinary walls: 3-5
Alarm Mode	Visual and audible alarm
Alarm Output	RF transmission
Operating Voltage	DC3V
Operating Current	Monitoring Current: $\leq 35\mu\text{A}$ Alarm Current: $\leq 3\text{mA}$
LED Instruction	Alarm: Red indicator flashes once every second Fault: Yellow indicator flashes once every minute Standby: Green indicator flashes once every minute
Battery Life	About 5 years
Battery	DC3V, 2400mAh
Operating Temperature	-10°C to $+55^{\circ}\text{C}$ ($+14^{\circ}\text{F}$ to $+131^{\circ}\text{F}$)
Storage Temperature	-20°C to $+60^{\circ}\text{C}$ (-4°F to $+140^{\circ}\text{F}$)
Operating Humidity	$\leq 95\%$ RH (no condensation)
Dimensions (with base)	106.5 mm \times 157.5 mm \times 56.7 mm (4.19" \times 6.20" \times 2.23")
Weight (with base and battery)	260 g (0.57 lb)
Installation	Wall Mount
Color	Red

Installation



Dimensions (mm/inch)



Ordering Information

Type	Model	Description
LoRa Manual Call Point	DHI-HY-L121	LoRa Manual Call Point