

GB Series

GB10, GB6, & GBB Fire Alarm Bells

20 units per carton, 44 pounds per carton (GB6) / 50 pounds per carton (GB10)

Applications

The GB Series provide durable and dependable operation required for life safety alarm systems.

Alarm bells are low current, high decibel notification appliances for use in fire and burglary systems or other signaling applications. The GB Series is available in 24 VDC or 120 VAC.

The GB Series is available in 6" or 10" housing and listed for indoor and outdoor applications. Bells must be used with the GBBB box for outdoor use.

The GB Series is ANSI/UL 464 listed and the units are warranted for 3 years from the date of purchase.

Standard Features

- Available in 24 VDC or 120 VAC
- Available in 6" or 10" housing
- Four wire 24 VDC or 120 VAC operation
- High dbA output
- Mounts to a standard 4" square electrical box
- ANSI/UL listed for outdoor use when used with the GBBB back box
- 18 AWG wire leads
- Available in red metal finish



GB 24 VDC / GB 120 VAC Fire Alarm Bell

Model Number	Part Number	Voltage	Housing Size	Current Draw (mA)	dBa at 10ft.
GB6-24	904-1278-002	24 VDC	6"	100 mA	95 dBA
GB10-24	904-1279-002	24 VDC	10"	100 mA	96 dBA
GB6-120	904-1280-002	120 VAC	6"	46 mA	95 dBA
GB10-120	904-1281-002	120 VAC	10"	46 mA	98 dBA

Notes

- Indoor operating temperature: 32° to 120°F (0° to 49°C)
- Outdoor operating temperature: -31° to 150°F (-35° to 65.6°C)
- GBBB back box part number; 901-0242-000
- GBBB back box dimensions: 4.25" (10.80 cm) square x 1.5" (3.81 cm) deep

Product Listings



- ANSI/UL 464 Listed
- CSFM: 7135-0569:139
- MEA #285-91-E

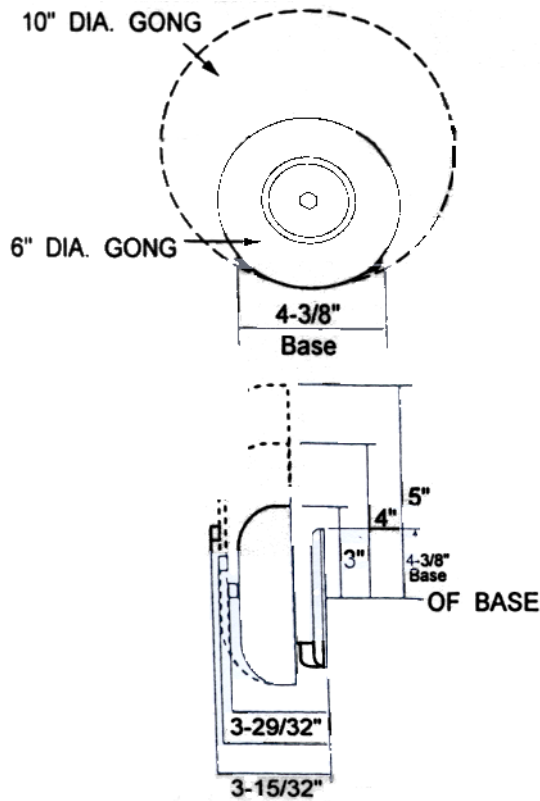
Product Compliance

- NFPA 72
- Quality Management System is certified to: ISO 9001:2008

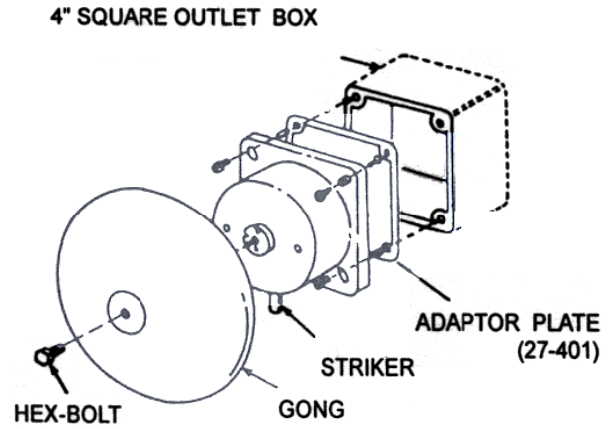
GB Series

GB10, GB6, & GBB Fire Alarm Bells

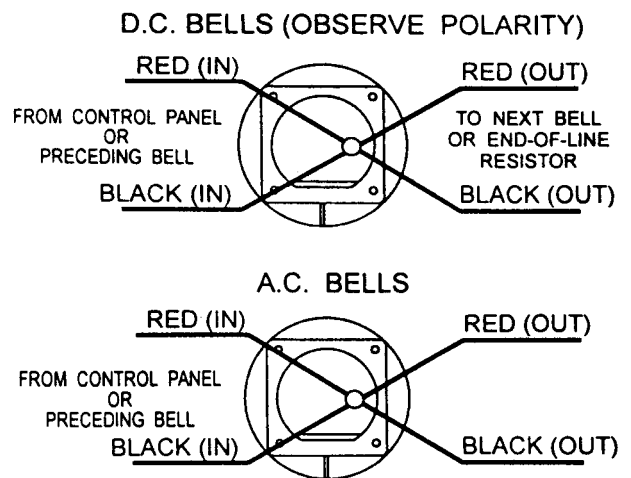
Dimensions



Mini-Horn Mounting



Wiring Diagrams



Architect & Engineering Specifications

The fire alarm bell shall be Gentex GB Series or approved equal and shall be listed by Underwriters Laboratories (ANSI/UL) for use with fire protective signaling systems (ANSI/UL 464). The notification appliance shall produce a peak sound output of 95 dBA or greater as measured in an anechoic chamber. The fire alarm bell shall have an operating current of 100 mA or less at 24 VDC and 46 mA or less at 120 VAC. The appliance shall be polarized to allow for electrical supervision of the system wiring. The unit will mount to a double gang box or double workbox without the use of an adapter plate. The GB unit must be used with the GBBB outdoor box for outdoor applications to meet ANSI/UL listing requirements.